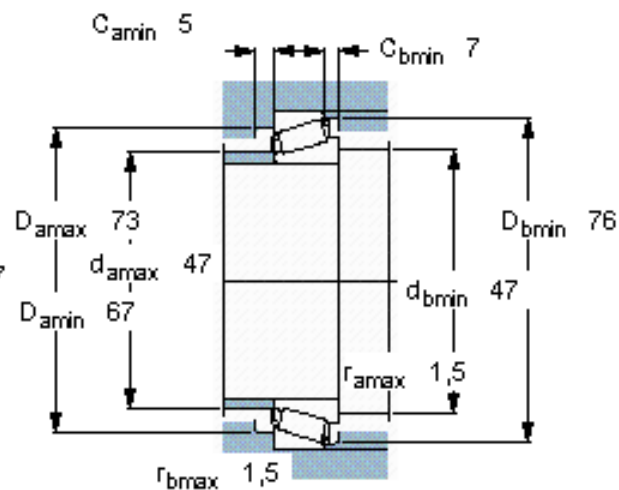
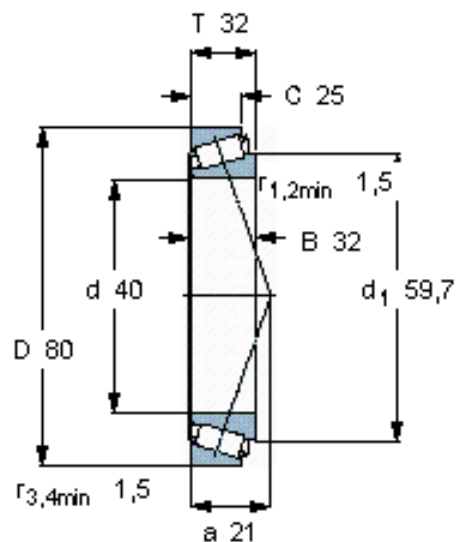


Taper roller bearings, single row

Principal dimensions			Basic load ratings		Fatigue load limit Pu	Speed ratings		Mass	Designation
d	D	T	dynamic	static		Reference speed	Limiting speed		
mm			kN		kN	r/min		kg	* - SKF Explorer bearing
40	80	32	105	132	15	5600	8500	0,77	33208/QCL7C



Calculation factors

e 0,35
 Y 1,7
 Y₀ 0,9