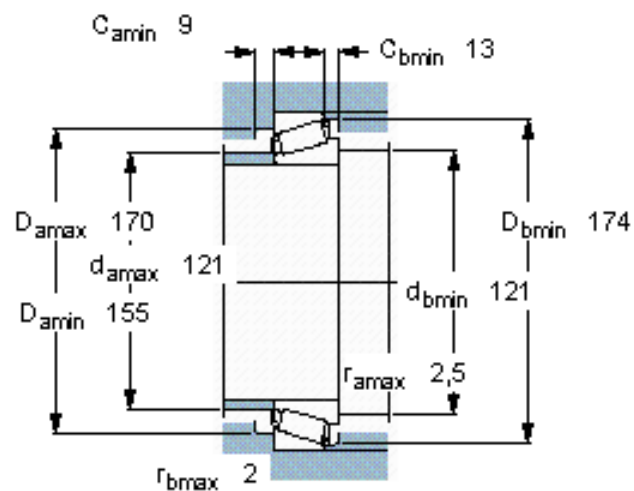
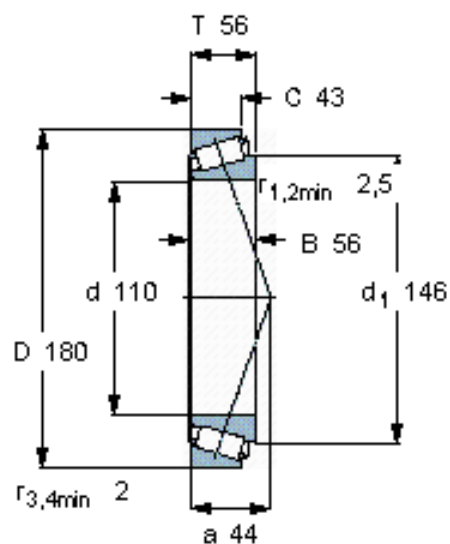


Taper roller bearings, single row

Principal dimensions			Basic load ratings		Fatigue load limit Pu	Speed ratings		Mass	Designation
d	D	T	dynamic	static		Reference speed	Limiting speed		
mm			kN		kN	r/min		kg	* - SKF Explorer bearing
110	180	56	369	630	67	2600	3400	5,55	33122



Calculation factors

e 0,43
Y 1,4
Y₀ 0,8