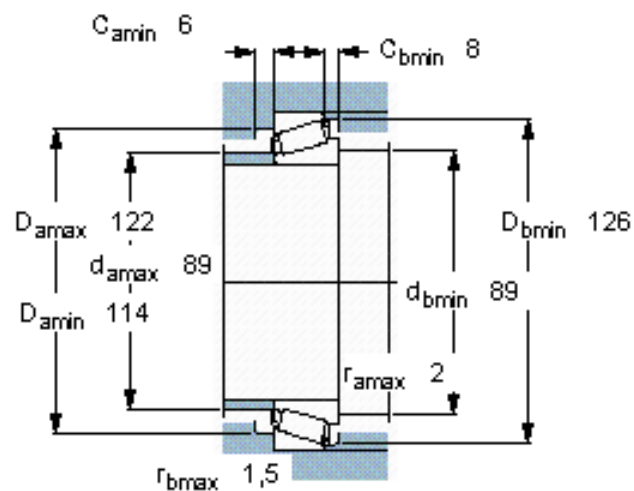
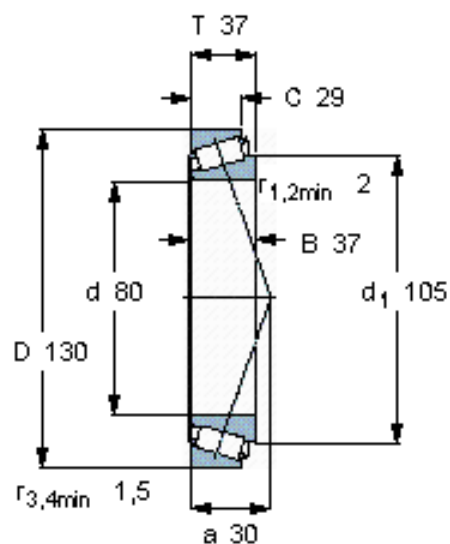


Taper roller bearings, single row

Principal dimensions			Basic load ratings		Fatigue load limit Pu	Speed ratings		Mass	Designation
d	D	T	dynamic	static		Reference speed	Limiting speed		
mm			kN		kN	r/min		kg	* - SKF Explorer bearing
80	130	37	179	280	32,5	3600	4800	1,90	33116/Q



Calculation factors

e 0,43

Y 1,4

$Y_0 0,8$