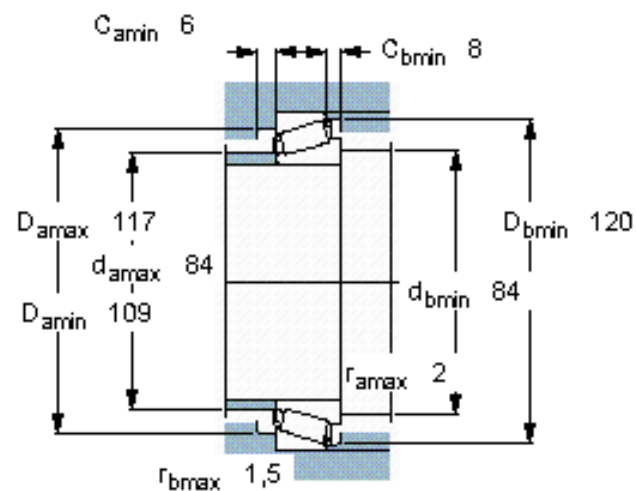
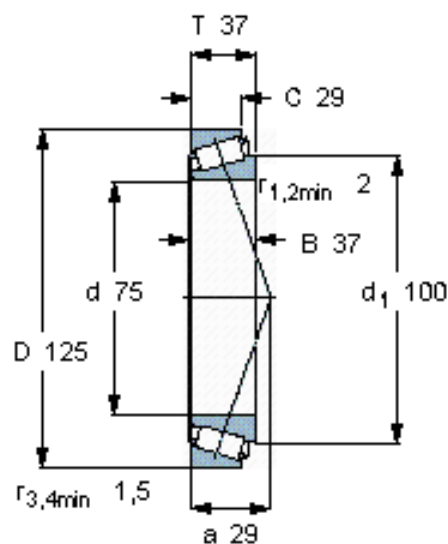


Taper roller bearings, single row

Principal dimensions			Basic load ratings		Fatigue load limit Pu	Speed ratings		Mass	Designation
d	D	T	dynamic	static		Reference speed	Limiting speed		
mm			kN		kN	r/min		kg	* - SKF Explorer bearing
75	125	37	176	265	31,5	3800	5000	1,80	33115/Q



Calculation factors

e 0,4
 $\gamma 1,5$
 $\gamma_0 0,8$