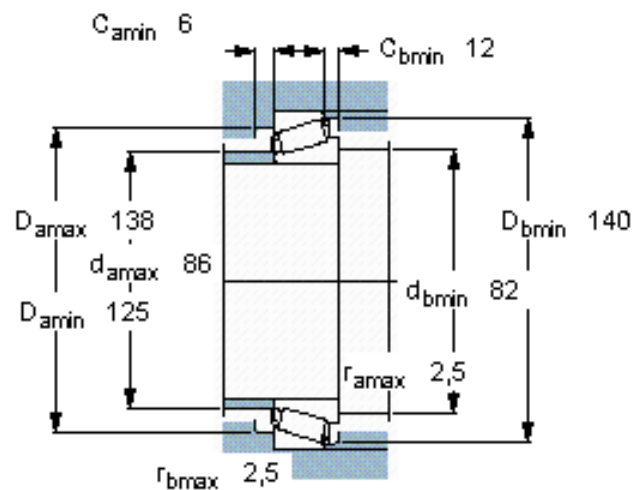
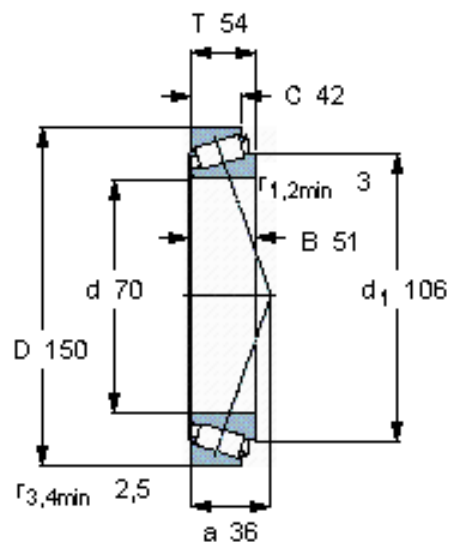


Taper roller bearings, single row

Principal dimensions			Basic load ratings		Fatigue load limit Pu	Speed ratings		Mass	Designation
d	D	T	dynamic	static		Reference speed	Limiting speed		
mm			kN		kN	r/min		kg	* - SKF Explorer bearing
70	150	54	297	380	45	3200	4500	4,30	32314 J2/Q



Calculation factors

e 0,35
 $\gamma 1,7$
 $\gamma_0 0,9$