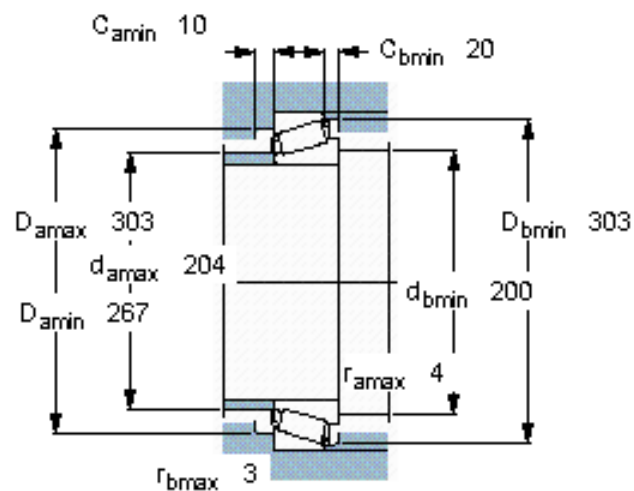
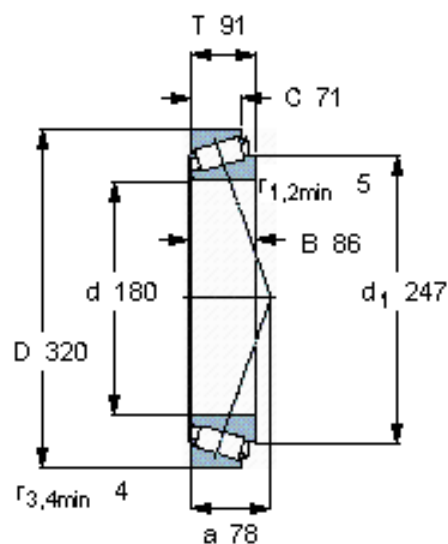


Taper roller bearings, single row

Principal dimensions			Basic load ratings		Fatigue load limit Pu	Speed ratings		Mass	Designation
d	D	T	dynamic	static		Reference speed	Limiting speed		
mm			kN		kN	r/min		kg	* - SKF Explorer bearing
180	320	91	1010	1630	150	1400	1900	29,5	32236 J2



Calculation factors

e 0,44

Y 1,35

$Y_0 0,8$