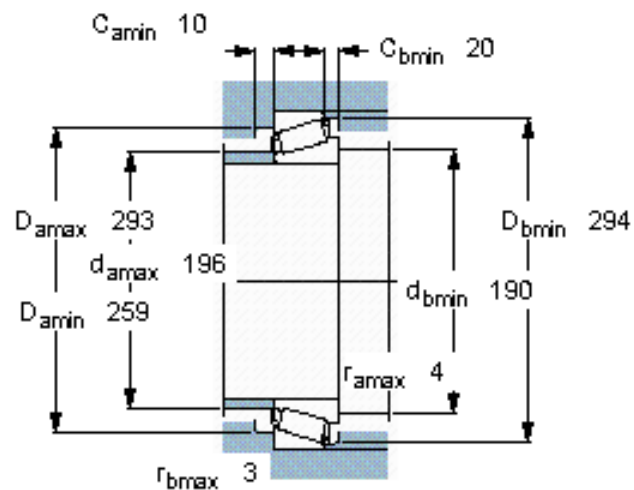
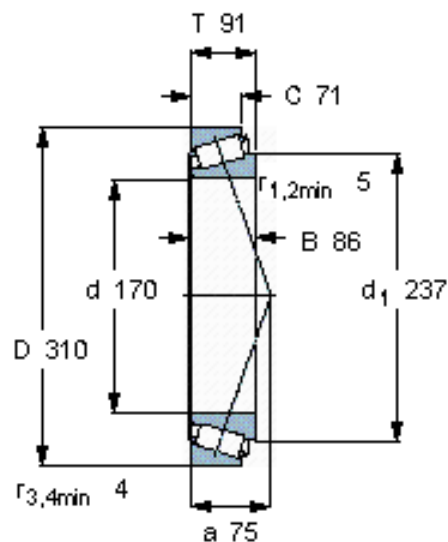


### Taper roller bearings, single row

Principal dimensions			Basic load ratings		Fatigue load limit Pu	Speed ratings		Mass	Designation
d	D	T	dynamic	static		Reference speed	Limiting speed		
mm			kN		kN	r/min		kg	* - SKF Explorer bearing
170	310	91	1010	1630	150	1500	2000	28,5	32234 J2



#### Calculation factors

$e 0,43$

$Y 1,4$

$Y_0 0,8$