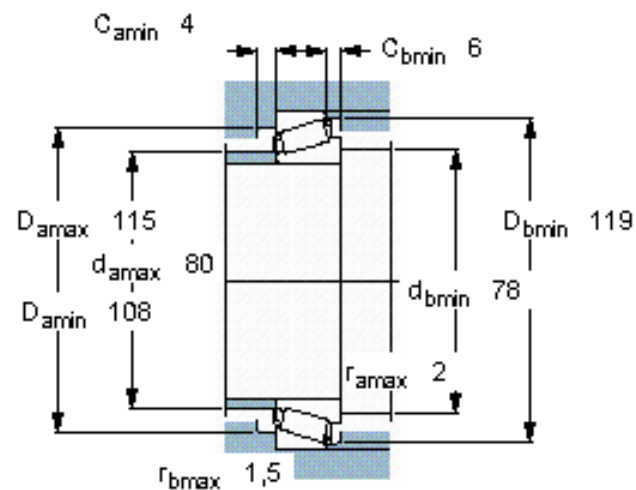
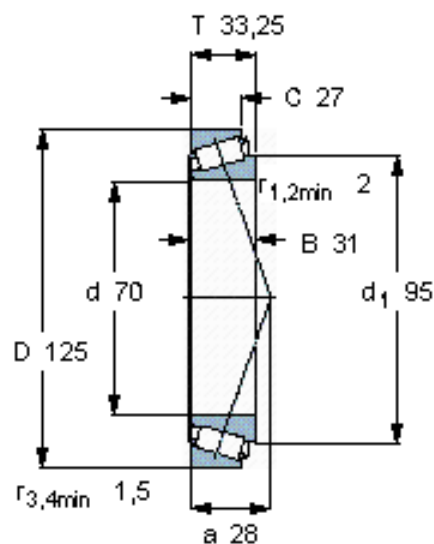


### Taper roller bearings, single row

Principal dimensions			Basic load ratings		Fatigue load limit Pu	Speed ratings		Mass	Designation
d	D	T	dynamic	static		Reference speed	Limiting speed		
mm			kN		kN	r/min		kg	* - SKF Explorer bearing
70	125	33,25	157	208	24,5	3800	5300	1,60	32214 J2/Q



#### Calculation factors

$e$  0,43

$Y$  1,4

$Y_0$  0,8