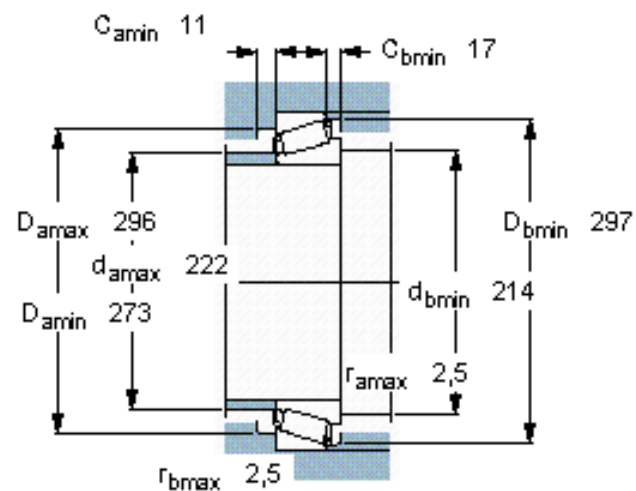
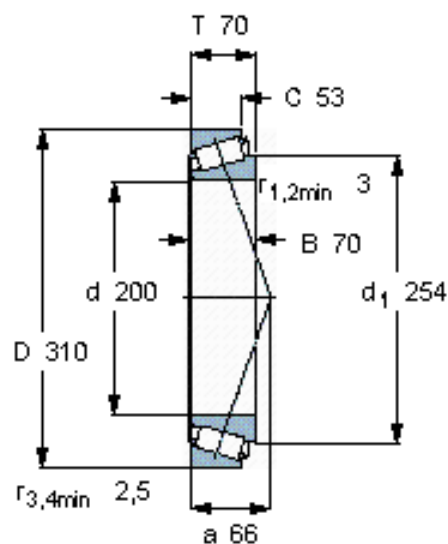


Taper roller bearings, single row

Principal dimensions			Basic load ratings		Fatigue load limit Pu	Speed ratings		Mass	Designation
d	D	T	dynamic	static		Reference speed	Limiting speed		
mm			kN	C0	kN	r/min		kg	* - SKF Explorer bearing
200	310	70	748	1370	127	1400	1900	19,5	32040 X



Calculation factors

e 0,43
 $\gamma 1,4$
 $\gamma_0 0,8$