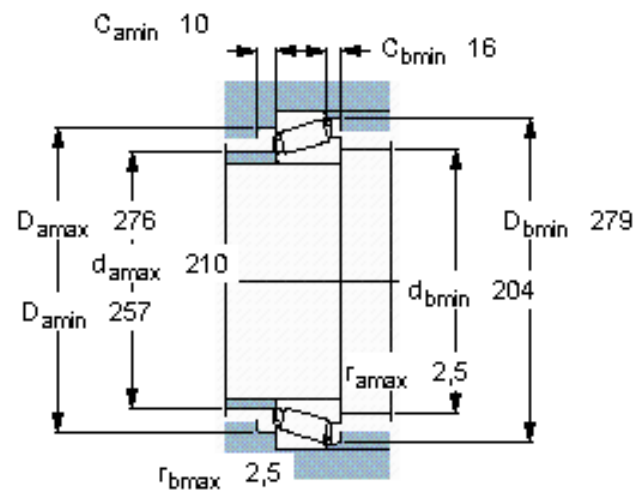
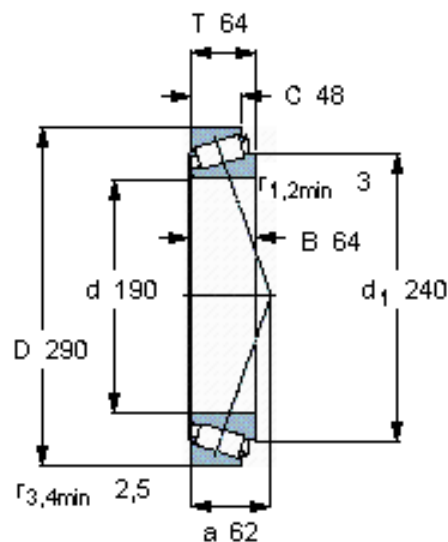


### Taper roller bearings, single row

Principal dimensions			Basic load ratings		Fatigue load limit Pu	Speed ratings		Mass	Designation
d	D	T	dynamic	static		Reference speed	Limiting speed		
mm			kN		kN	r/min		kg	* - SKF Explorer bearing
190	290	64	660	1200	112	1500	2000	15,0	32038 X



#### Calculation factors

e 0,44  
Y 1,35  
Y<sub>0</sub> 0,8