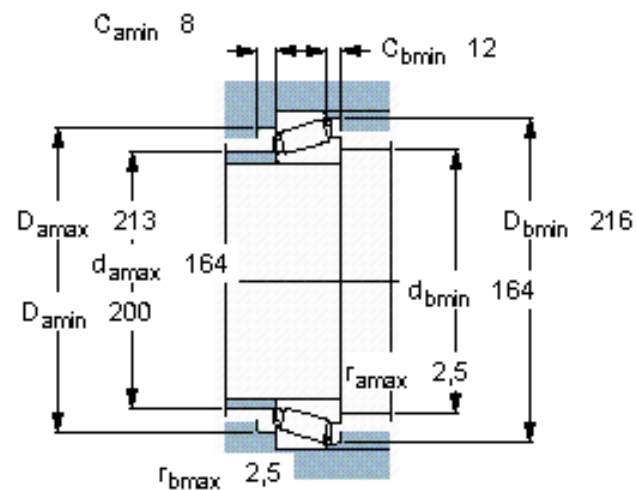
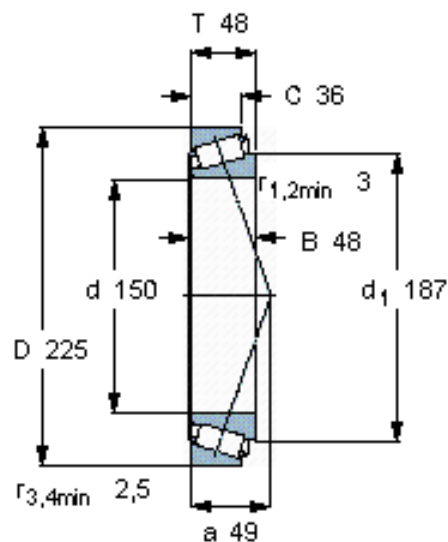


### Taper roller bearings, single row

Principal dimensions			Basic load ratings		Fatigue load limit Pu	Speed ratings		Mass	Designation
d	D	T	dynamic	static		Reference speed	Limiting speed		
mm			kN		kN	r/min		kg	* - SKF Explorer bearing
150	225	48	369	655	65,5	2000	2600	6,35	32030 X



#### Calculation factors

e 0,46

Y 1,3

Y<sub>0</sub> 0,7