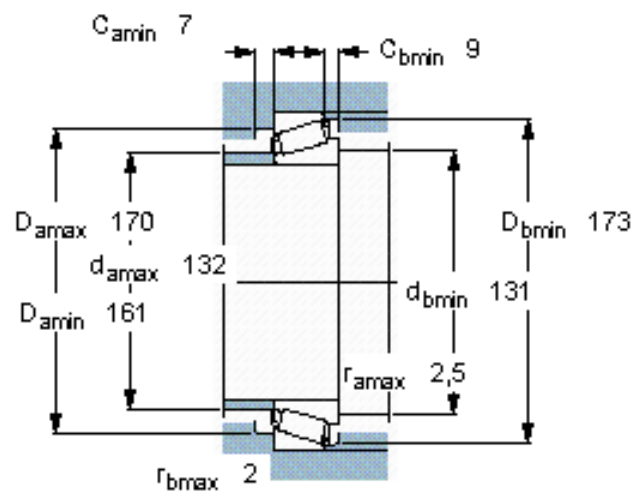
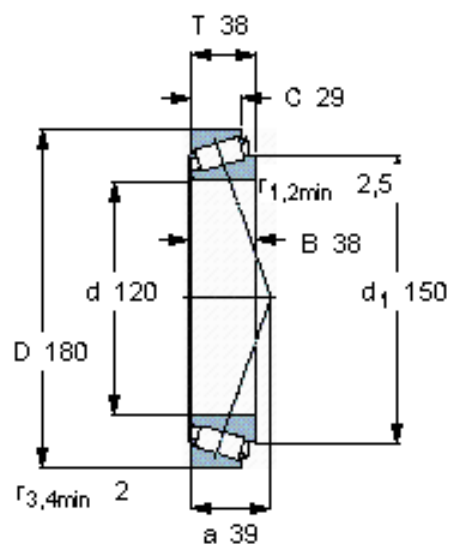


Taper roller bearings, single row

| Principal dimensions | | | Basic load ratings | | Fatigue load limit Pu | Speed ratings | | Mass | Designation |
|----------------------|-----|----|--------------------|--------|--------------------------|-----------------|----------------|------|--------------------------|
| d | D | T | dynamic | static | | Reference speed | Limiting speed | | |
| mm | | | kN | | kN | r/min | | kg | * - SKF Explorer bearing |
| 120 | 180 | 38 | 242 | 415 | 44 | 2400 | 3400 | 3,25 | 32024 X |



Calculation factors

e 0,46

Y 1,3

$Y_0 0,7$