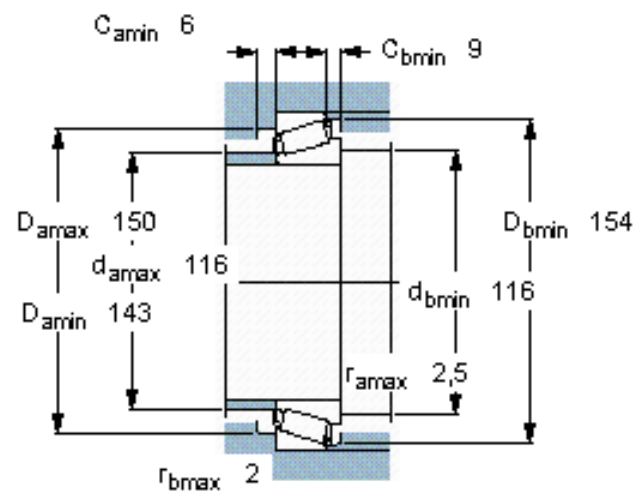
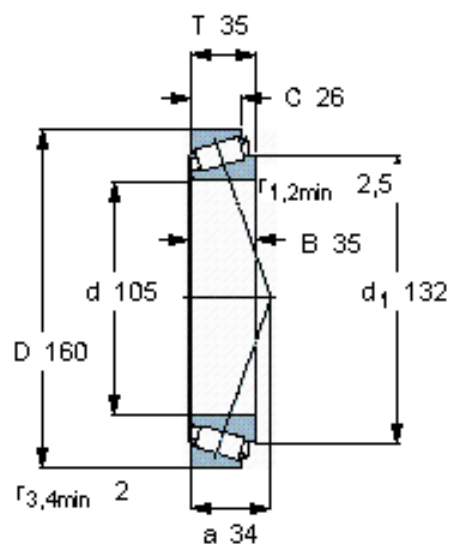


Taper roller bearings, single row

Principal dimensions			Basic load ratings		Fatigue load limit Pu	Speed ratings		Mass	Designation
d	D	T	dynamic	static		Reference speed	Limiting speed		
mm			kN		kN	r/min		kg	* - SKF Explorer bearing
105	160	35	201	335	37,5	2800	3800	2,40	32021 X/Q



Calculation factors

e 0,44

Y 1,35

$Y_0 0,8$