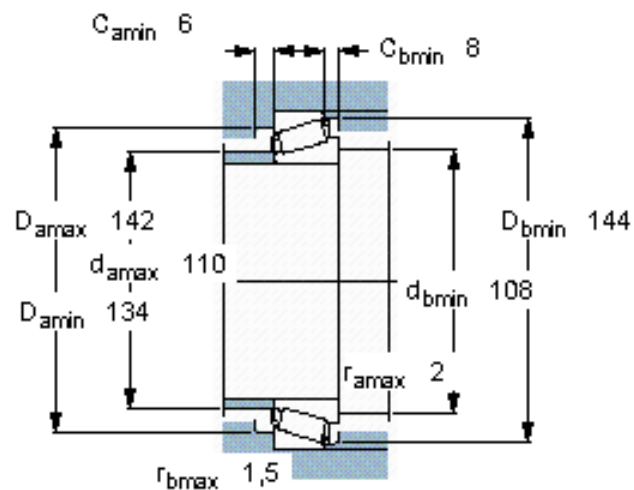
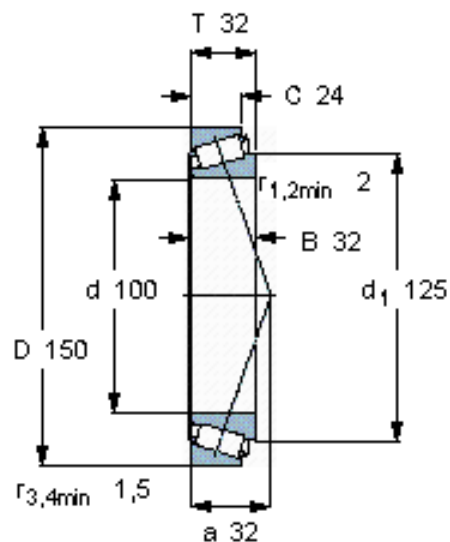


### Taper roller bearings, single row

Principal dimensions			Basic load ratings		Fatigue load limit Pu	Speed ratings		Mass	Designation
d	D	T	dynamic	static		Reference speed	Limiting speed		
mm			kN		kN	r/min		kg	* - SKF Explorer bearing
100	150	32	172	280	31	3000	4000	1,90	32020 X/Q



#### Calculation factors

e 0,46  
 $\gamma 1,3$   
 $\gamma_0 0,7$