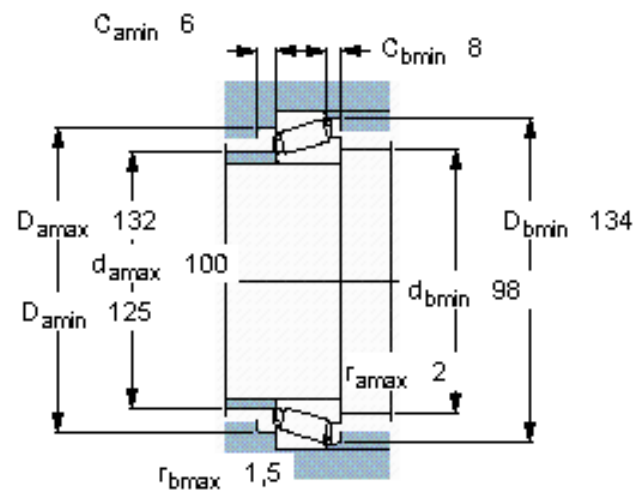
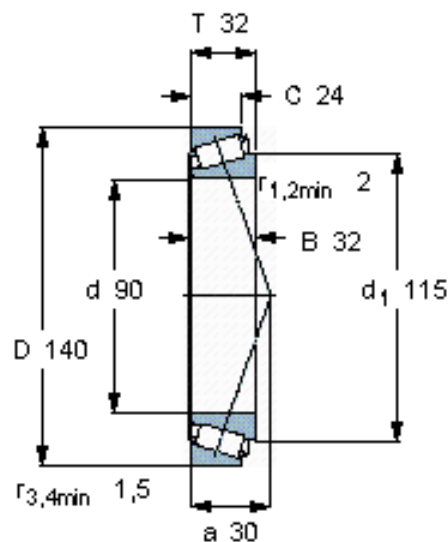


Taper roller bearings, single row

Principal dimensions			Basic load ratings		Fatigue load limit Pu	Speed ratings		Mass	Designation
d	D	T	dynamic	static		Reference speed	Limiting speed		
mm			kN		kN	r/min		kg	* - SKF Explorer bearing
90	140	32	168	270	31	3200	4300	1,75	32018 X/Q



Calculation factors

e 0,43
 $\gamma 1,4$
 $\gamma_0 0,8$