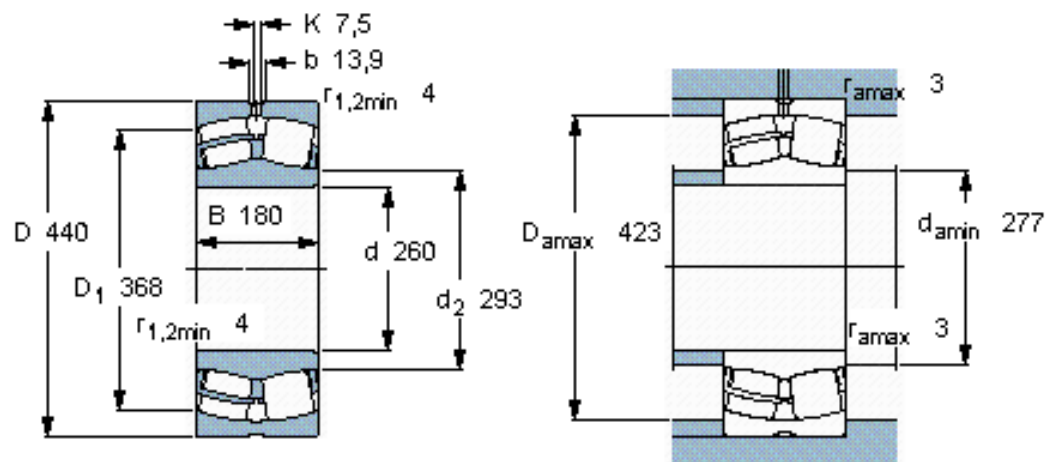


Spherical roller bearings, cylindrical and tapered bore

Principal dimensions			Basic load ratings		Fatigue load limit Pu	Speed ratings		Mass kg	Designation
d	D	B	dynamic	static		Reference speed	Limiting speed		
mm			kN		kN	r/min			* - SKF Explorer bearing
260	440	180	3000	4800	380	850	1200	110	24152 CC/W33 *



Calculation factors

$e = 0,40$
 $Y_1 = 1,7$
 $Y_2 = 2,5$
 $Y_0 = 1,6$