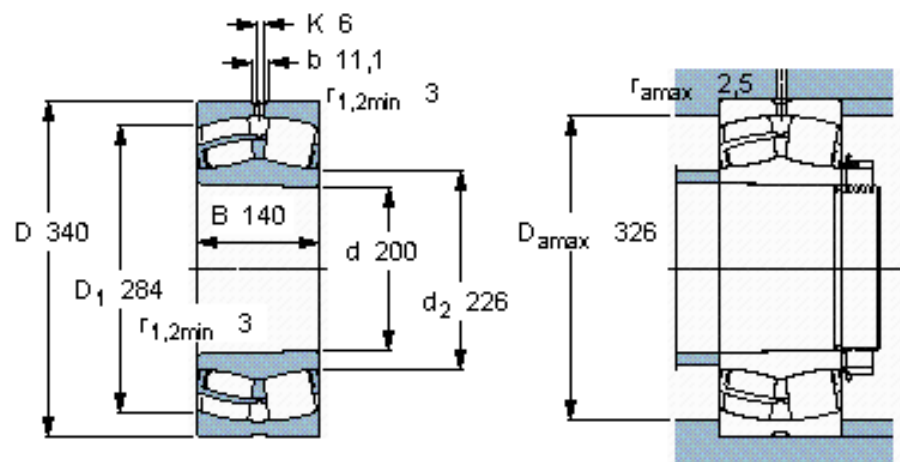


Spherical roller bearings, cylindrical and tapered bore

Principal dimensions			Basic load ratings		Fatigue load limit Pu	Speed ratings		Mass	Designation
d	D	B	dynamic	static		Reference speed	Limiting speed		
mm			kN		kN	r/min		kg	-
200	340	140	1800	2800	232	1100	1500	52,5	24140 CCK30/W33 *



Calculation factors

e 0,40
 Y₁ 1,7
 Y₂ 2,5
 Y₀ 1,6