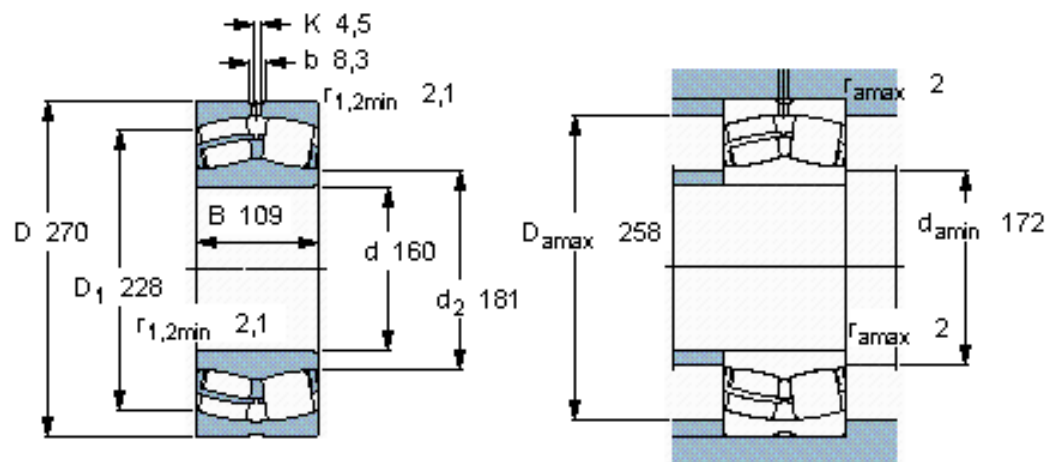


### Spherical roller bearings, cylindrical and tapered bore

Principal dimensions			Basic load ratings		Fatigue load limit Pu	Speed ratings		Mass	Designation
d	D	B	dynamic	static		Reference speed	Limiting speed		
mm			kN	C0	kN	r/min	kg		* - SKF Explorer bearing
160	270	109	1180	1760	163	1400	25,0		24132 CC/W33 *



#### Calculation factors

e 0,40  
 Y<sub>1</sub> 1,7  
 Y<sub>2</sub> 2,5  
 Y<sub>0</sub> 1,6