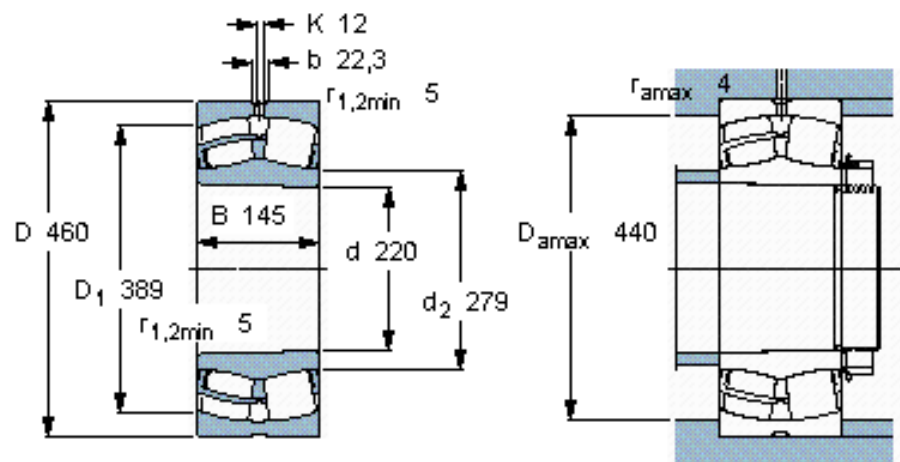


## Spherical roller bearings, cylindrical and tapered bore

Principal dimensions			Basic load ratings		Fatigue load limit Pu	Speed ratings		Mass	Designation
d	D	B	dynamic	static		Reference speed	Limiting speed		
mm			kN	C0	kN	r/min		kg	* - SKF Explorer bearing
220	460	145	2700	3450	260	1000	1400	115	22344 CCK/W33 *



### Calculation factors

$e$  0,31  
 $Y_1$  2,2  
 $Y_2$  3,3  
 $Y_0$  2,2