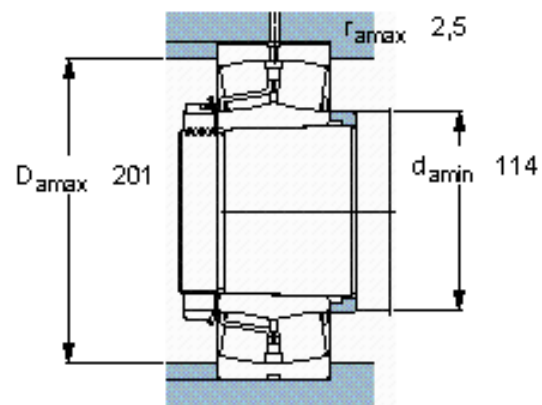
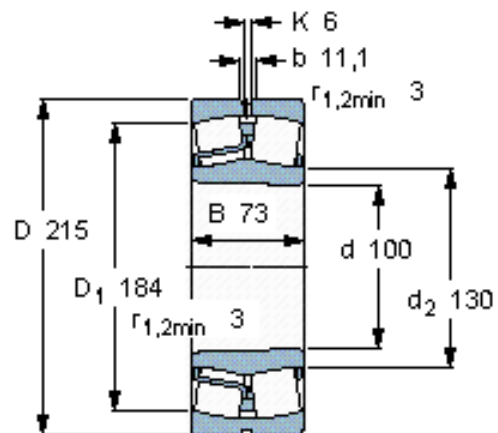


Spherical roller bearings, cylindrical and tapered bore

Principal dimensions			Basic load ratings		Fatigue load limit Pu	Speed ratings		Mass	Designation
d	D	B	dynamic	static		Reference speed	Limiting speed		
mm			kN		kN	r/min		kg	-
100	215	73	815	950	88	2400	3000	13,0	22320 EK *



Calculation factors

e 0,33
 Y₁ 2
 Y₂ 3
 Y₀ 2