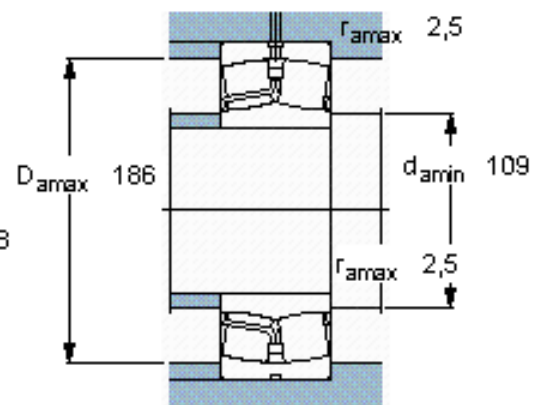
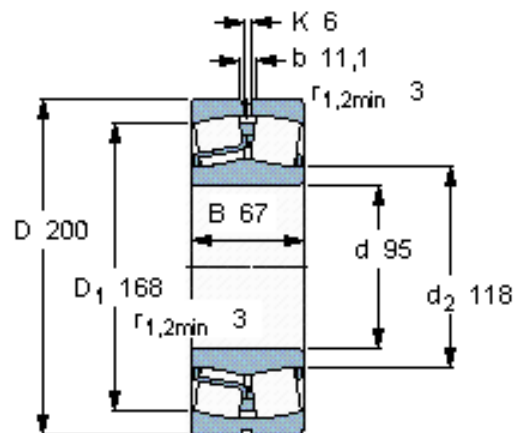


### Spherical roller bearings, cylindrical and tapered bore

Principal dimensions			Basic load ratings		Fatigue load limit Pu	Speed ratings		Mass kg	Designation
d	D	B	dynamic	static		Reference speed	Limiting speed		
mm			kN		kN	r/min			* - SKF Explorer bearing
95	200	67	670	765	73,5	2600	3400	10,5	22319 E *



#### Calculation factors

$e$  0,33  
 $Y_1$  2  
 $Y_2$  3  
 $Y_0$  2