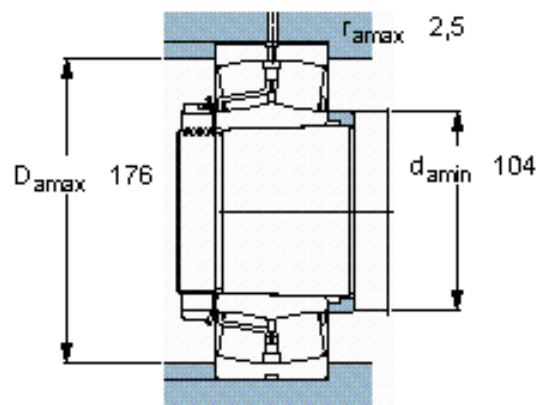
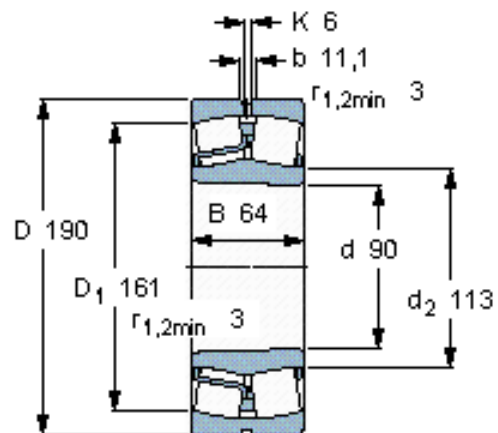


Spherical roller bearings, cylindrical and tapered bore

Principal dimensions			Basic load ratings		Fatigue load limit Pu	Speed ratings		Mass kg	Designation
d	D	B	dynamic	static		Reference speed	Limiting speed		
mm			kN		kN	r/min			* - SKF Explorer bearing
90	190	64	610	695	67	2600	3600	8,85	22318 EK *



Calculation factors

e 0,33
 Y₁ 2
 Y₂ 3
 Y₀ 2