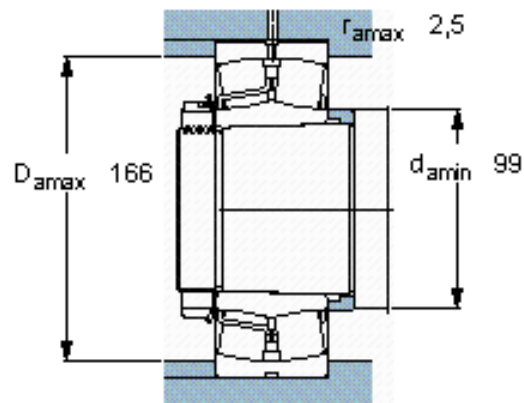
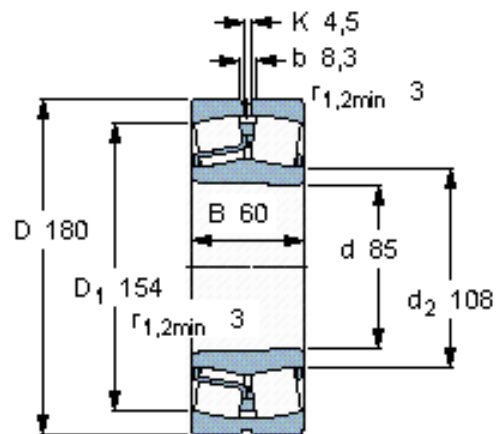


Spherical roller bearings, cylindrical and tapered bore

Principal dimensions			Basic load ratings		Fatigue load limit Pu	Speed ratings		Mass kg	Designation
d	D	B	dynamic	static		Reference speed	Limiting speed		
mm			kN		kN	r/min			* - SKF Explorer bearing
85	180	60	550	620	61	2800	3800	7,50	22317 EK *



Calculation factors

e 0,33
 Y_1 2
 Y_2 3
 Y_0 2