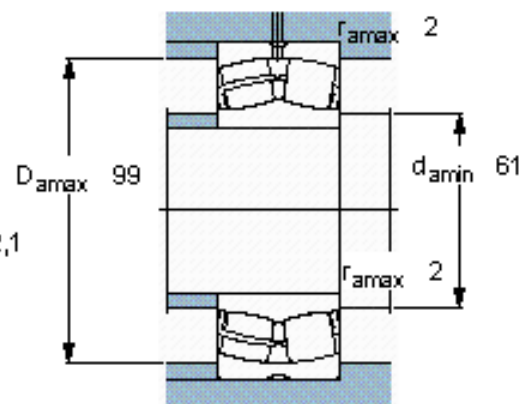
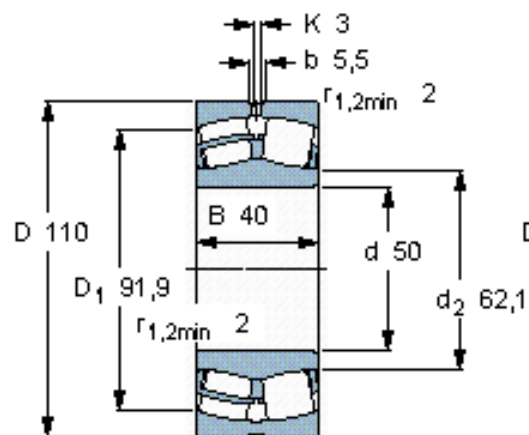


Spherical roller bearings, cylindrical and tapered bore

Principal dimensions			Basic load ratings		Fatigue load limit Pu	Speed ratings		Mass kg	Designation
d	D	B	dynamic	static		Reference speed	Limiting speed		
mm			kN	C0	kN	r/min			* - SKF Explorer bearing
50	110	40	220	224	24	4800	6300	1,90	22310 E *



Calculation factors

e 0,37
 Y_1 1,8
 Y_2 2,7
 Y_0 1,8