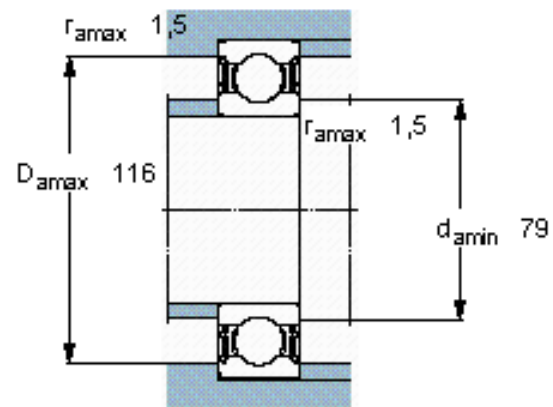
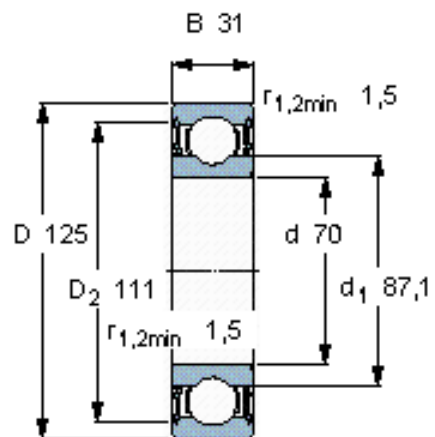


### Deep groove ball bearings, single row

Principal dimensions			Basic load ratings		Fatigue load limit Pu	Speed ratings		Mass	Designation
d	D	B	dynamic	static		Reference speed	Limiting speed		
mm			kN	C0	kN	r/min		kg	* - SKF Explorer bearing
70	125	31	60,5	45	1,9	-	3400	1,3	62214-2RS1



#### Calculation factors

k<sub>r</sub> 0,025  
f<sub>0</sub> 15