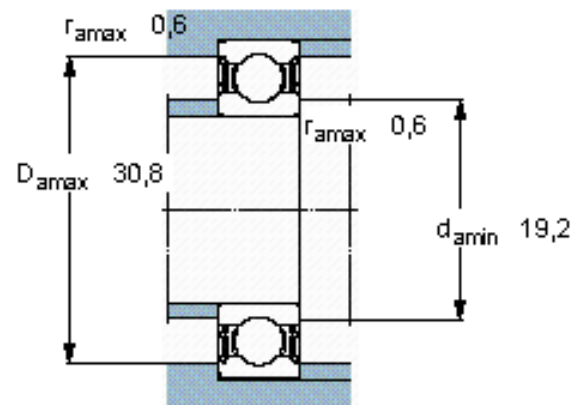
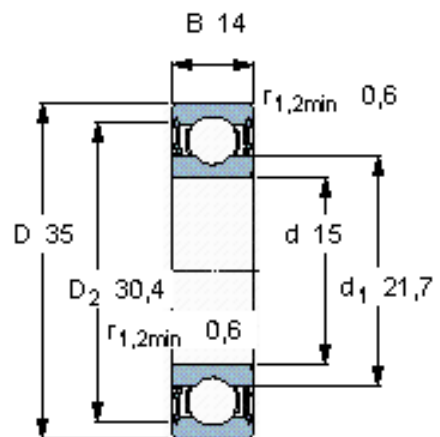


### Deep groove ball bearings, single row

Principal dimensions			Basic load ratings		Fatigue load limit Pu	Speed ratings		Mass	Designation
d	D	B	dynamic	static		Reference speed	Limiting speed		
mm			kN		kN	r/min		kg	-
15	35	14	7,8	3,75	0,16	-	13000	0,054	62202-2RS1

\* - SKF Explorer bearing



#### Calculation factors

$k_r$  0,025

$f_0$  13