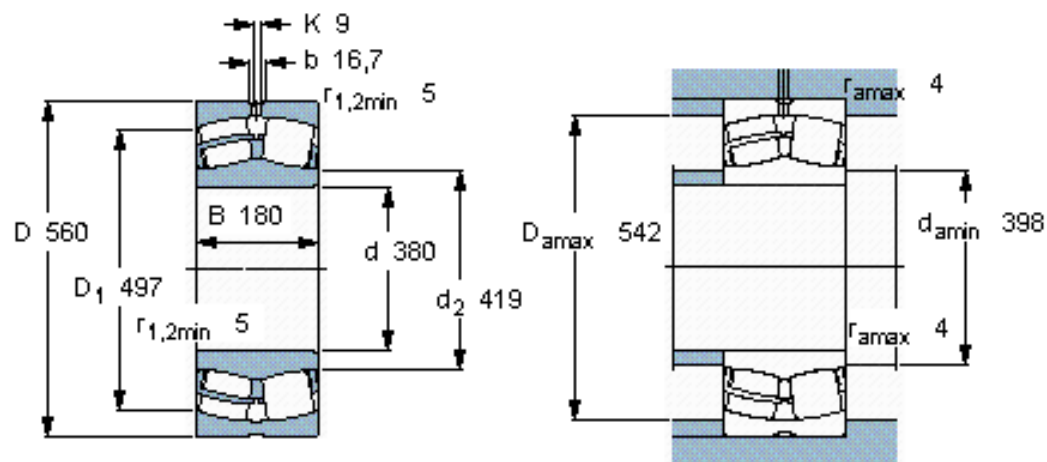


Spherical roller bearings, cylindrical and tapered bore

Principal dimensions			Basic load ratings		Fatigue load limit Pu	Speed ratings		Mass	Designation
d	D	B	dynamic	static		Reference speed	Limiting speed		
mm			kN	C0	kN	r/min	kg		* - SKF Explorer bearing
380	560	180	3600	6800	480	670	950	150	24076 CC/W33 *



Calculation factors

e 0,30
 Y₁ 2,3
 Y₂ 3,4
 Y₀ 2,2