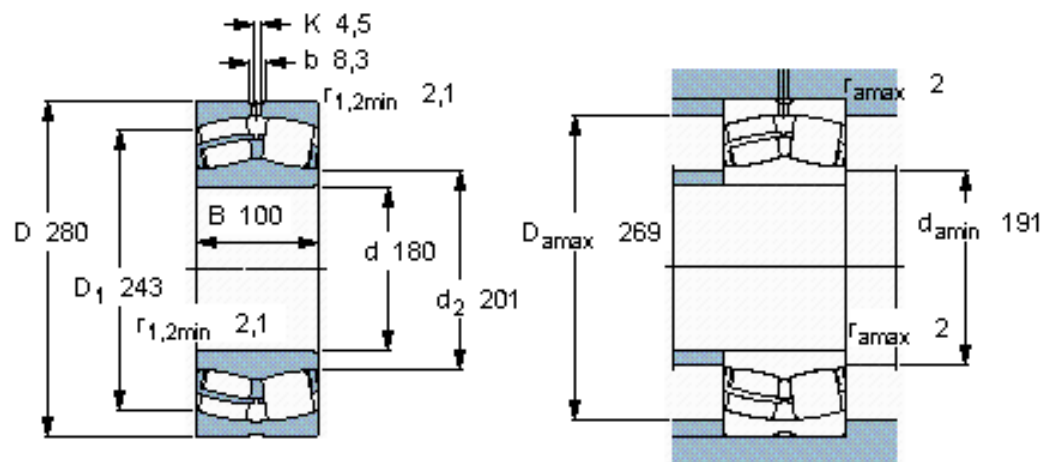


Spherical roller bearings, cylindrical and tapered bore

| Principal dimensions | | | Basic load ratings | | Fatigue load limit Pu | Speed ratings | | Mass | Designation |
|----------------------|-----|-----|--------------------|--------|--------------------------|-----------------|----------------|------|--------------------------|
| d | D | B | dynamic | static | | Reference speed | Limiting speed | | |
| mm | | | kN | C0 | kN | r/min | kg | | * - SKF Explorer bearing |
| 180 | 280 | 100 | 1080 | 1730 | 156 | 1300 | 2200 | 23,0 | 24036 CC/W33 * |



Calculation factors

$e = 0,33$
 $Y_1 = 2$
 $Y_2 = 3$
 $Y_0 = 2$