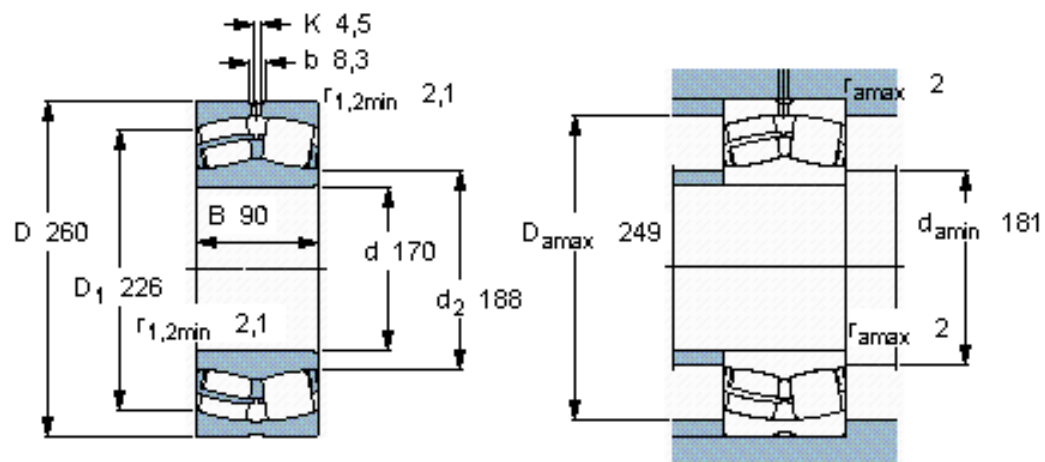


### Spherical roller bearings, cylindrical and tapered bore

Principal dimensions			Basic load ratings		Fatigue load limit Pu	Speed ratings		Mass	Designation
d	D	B	dynamic	static		Reference speed	Limiting speed		
mm			kN	C0	kN	r/min	kg		* - SKF Explorer bearing
170	260	90	930	1460	137	1600	2400	17,5	24034 CC/W33 *



#### Calculation factors

$e$  0,33  
 $Y_1$  2  
 $Y_2$  3  
 $Y_0$  2