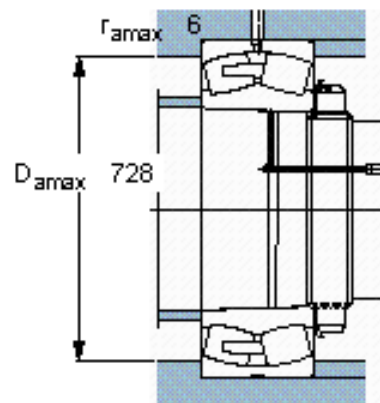
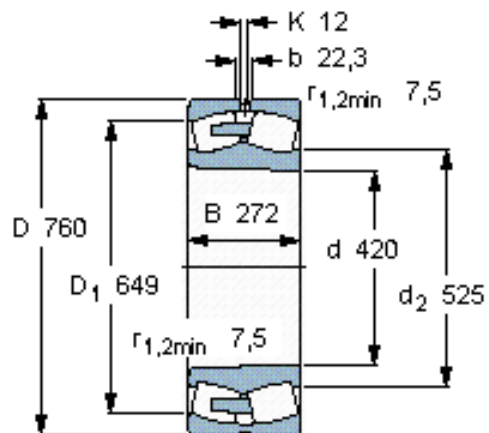


### Spherical roller bearings, cylindrical and tapered bore

Principal dimensions			Basic load ratings		Fatigue load limit Pu	Speed ratings		Mass	Designation
d	D	B	dynamic	static		Reference speed	Limiting speed		
mm			kN	C0	kN	r/min		kg	* - SKF Explorer bearing
420	760	272	7350	11600	765	450	630	520	23284 CAK/W33 *



#### Calculation factors

$e$  0,35  
 $Y_1$  1,9  
 $Y_2$  2,9  
 $Y_0$  1,8