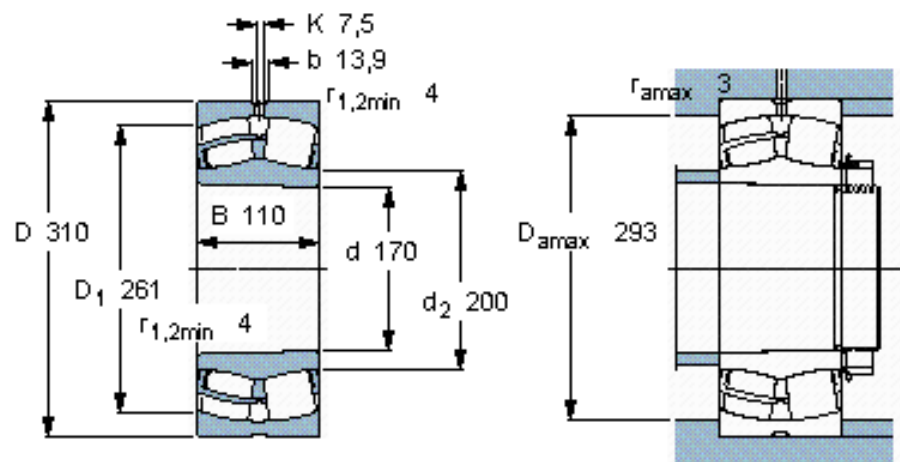


Spherical roller bearings, cylindrical and tapered bore

Principal dimensions			Basic load ratings		Fatigue load limit Pu	Speed ratings		Mass	Designation
d	D	B	dynamic	static		Reference speed	Limiting speed		
mm			kN		kN	r/min		kg	-
170	310	110	1400	1930	173	1400	2000	36,5	23234 CCK/W33 *



Calculation factors

$e = 0,35$
 $Y_1 = 1,9$
 $Y_2 = 2,9$
 $Y_0 = 1,8$