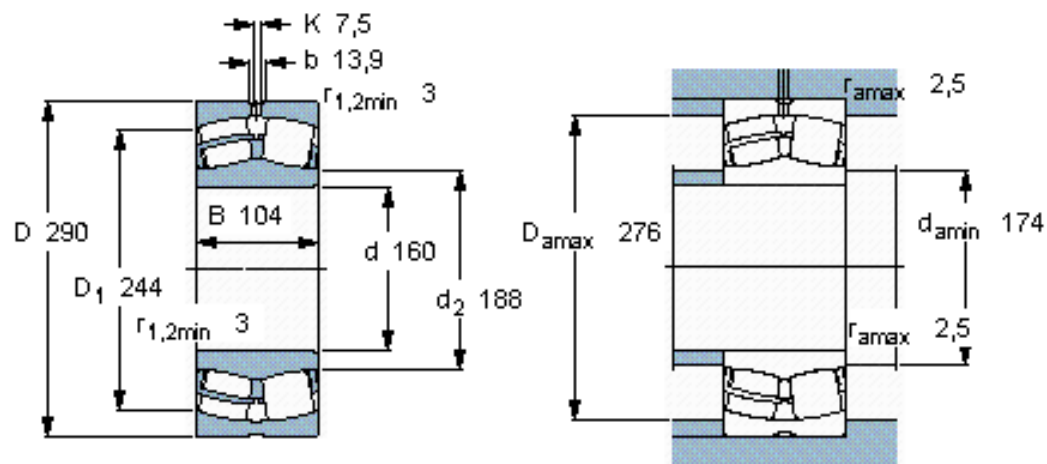


Spherical roller bearings, cylindrical and tapered bore

Principal dimensions			Basic load ratings		Fatigue load limit Pu	Speed ratings		Mass	Designation
d	D	B	dynamic	static		Reference speed	Limiting speed		
mm			kN	C0	kN	r/min	kg		* - SKF Explorer bearing
160	290	104	1220	1660	153	1500	2200	31,0	23232 CC/W33 *



Calculation factors

e 0,35
 Y_1 1,9
 Y_2 2,9
 Y_0 1,8