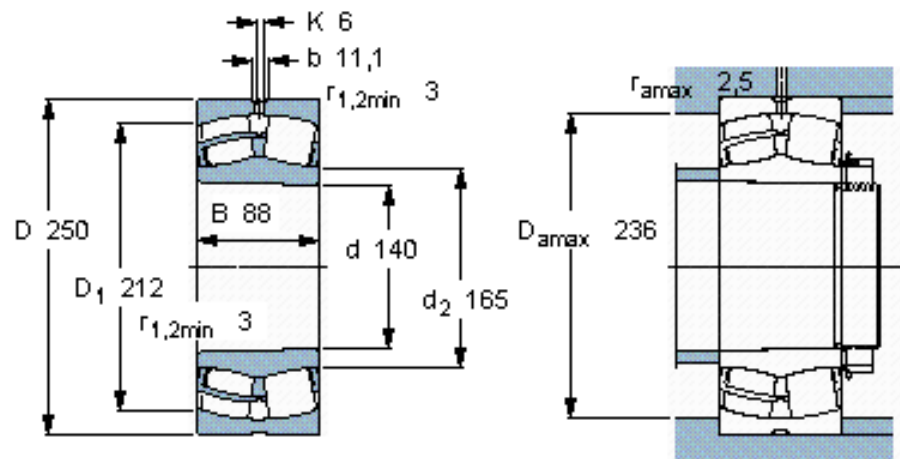


Spherical roller bearings, cylindrical and tapered bore

Principal dimensions			Basic load ratings		Fatigue load limit Pu	Speed ratings		Mass	Designation
d	D	B	dynamic	static		Reference speed	Limiting speed		
mm			kN	C0	kN	r/min		kg	* - SKF Explorer bearing
140	250	88	915	1250	120	1700	2400	18,5	23228 CCK/W33 *



Calculation factors

$e = 0,33$
 $Y_1 = 2$
 $Y_2 = 3$
 $Y_0 = 2$