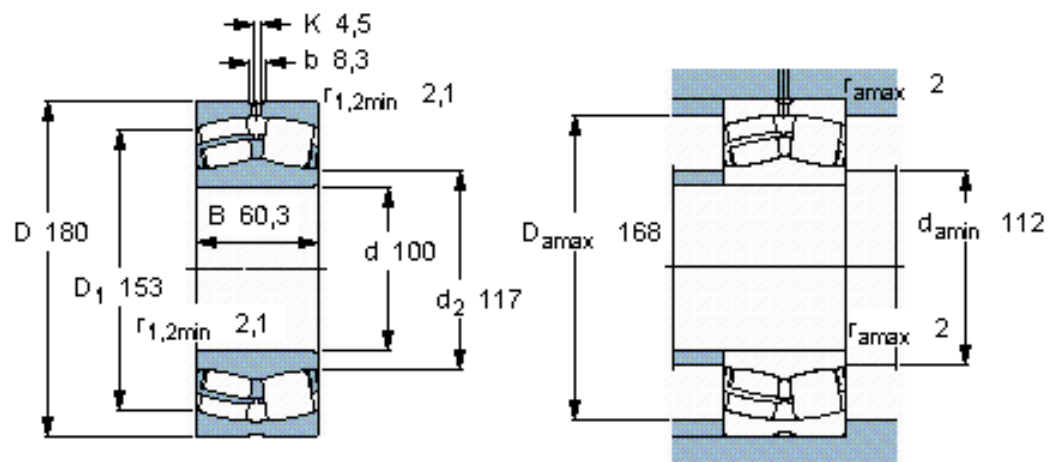


Spherical roller bearings, cylindrical and tapered bore

Principal dimensions			Basic load ratings		Fatigue load limit Pu	Speed ratings		Mass kg	Designation
d	D	B	dynamic	static		Reference speed	Limiting speed		
mm			kN	C0	kN	r/min			* - SKF Explorer bearing
100	180	60,3	475	600	63	2400	3400	6,85	23220 CC/W33 *



Calculation factors

e 0,33

Y_1 2

Y_2 3

Y_0 2