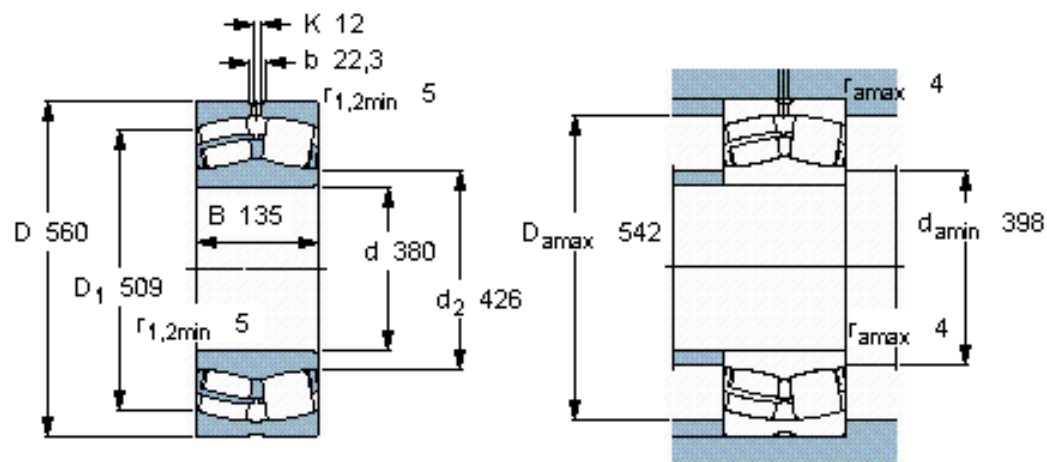


Spherical roller bearings, cylindrical and tapered bore

Principal dimensions			Basic load ratings		Fatigue load limit Pu	Speed ratings		Mass kg	Designation
d	D	B	dynamic	static		Reference speed	Limiting speed		
mm			kN	C0	kN	r/min			* - SKF Explorer bearing
380	560	135	2900	5000	360	900	1200	115	23076 CC/W33 *



Calculation factors

e 0,22
 Y_1 3
 Y_2 4,6
 Y_0 2,8