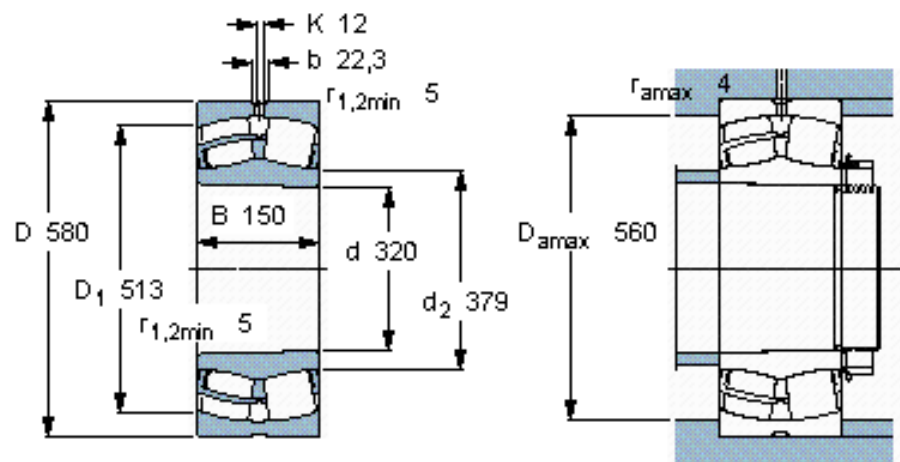


### Spherical roller bearings, cylindrical and tapered bore

Principal dimensions			Basic load ratings		Fatigue load limit Pu	Speed ratings		Mass	Designation
d	D	B	dynamic	static		Reference speed	Limiting speed		
mm			kN		kN	r/min		kg	-
320	580	150	3600	4900	375	950	1300	170	22264 CCK/W33 *



#### Calculation factors

$e = 0,26$   
 $Y_1 = 2,6$   
 $Y_2 = 3,9$   
 $Y_0 = 2,5$