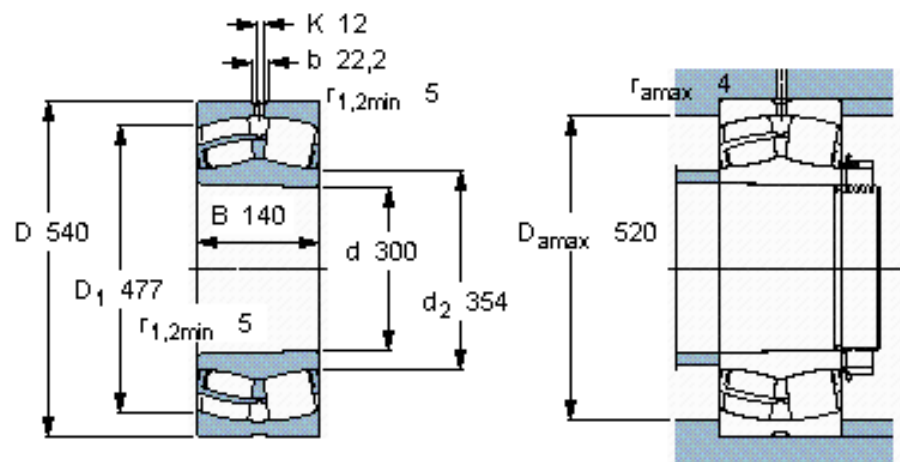


### Spherical roller bearings, cylindrical and tapered bore

Principal dimensions			Basic load ratings		Fatigue load limit Pu	Speed ratings		Mass	Designation
d	D	B	dynamic	static		Reference speed	Limiting speed		
mm			kN	C0	kN	r/min		kg	* - SKF Explorer bearing
300	540	140	3150	4250	325	1000	1400	140	22260 CCK/W33 *



#### Calculation factors

e 0,26  
 Y<sub>1</sub> 2,6  
 Y<sub>2</sub> 3,9  
 Y<sub>0</sub> 2,5