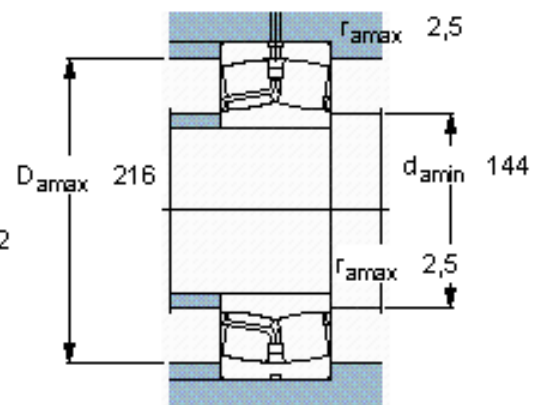
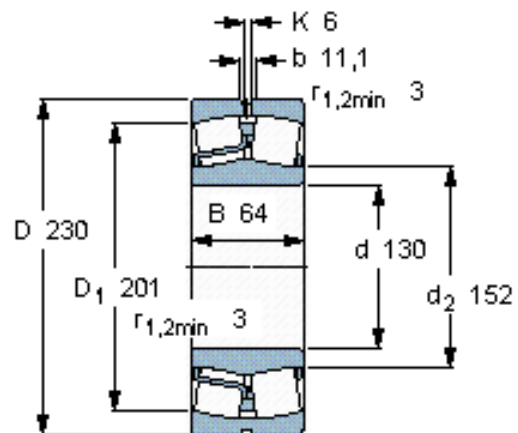


### Spherical roller bearings, cylindrical and tapered bore

Principal dimensions			Basic load ratings		Fatigue load limit Pu	Speed ratings		Mass	Designation
d	D	B	dynamic	static		Reference speed	Limiting speed		
mm			kN	C0	kN	r/min	kg		* - SKF Explorer bearing
130	230	64	735	930	88	2600	3600	11,0	22226 E *



#### Calculation factors

$e$  0,27  
 $Y_1$  2,5  
 $Y_2$  3,7  
 $Y_0$  2,5