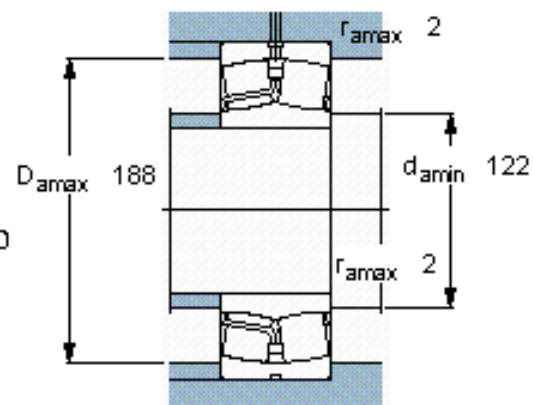
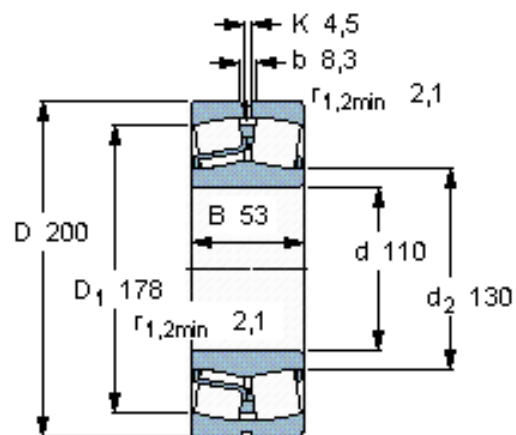


Spherical roller bearings, cylindrical and tapered bore

Principal dimensions			Basic load ratings		Fatigue load limit Pu	Speed ratings		Mass	Designation
d	D	B	dynamic	static		Reference speed	Limiting speed		
mm			kN		kN	r/min		kg	-
110	200	53	560	640	63	3000	4000	7,00	22222 E *



Calculation factors

e 0,25
 Y_1 2,7
 Y_2 4
 Y_0 2,5