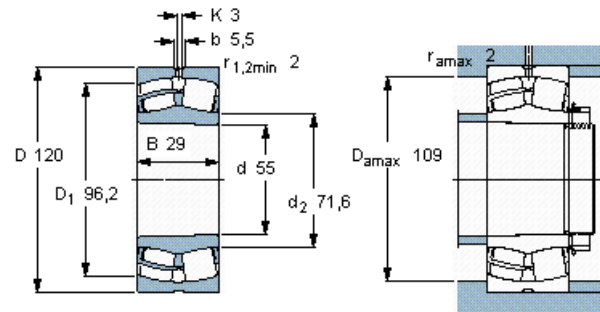


Spherical roller bearings, cylindrical and tapered bore, tapered bore, unsealed



Principal dimensions			Basic load ratings		Fatigue load limit P_u	Speed ratings		Mass	Designation
d	D	B	dynamic	static		Reference speed	Limiting speed		
mm			C	C_0	kN	r/min	kg	-	* - SKF Explorer bearing
55	120	29	156	166	18,6	5600	1,70	21311 EK *	



Tapered bore, taper
1: 12

Calculation factors

- e 0,25
- Y_1 2,7
- Y_2 4
- Y_0 2,5