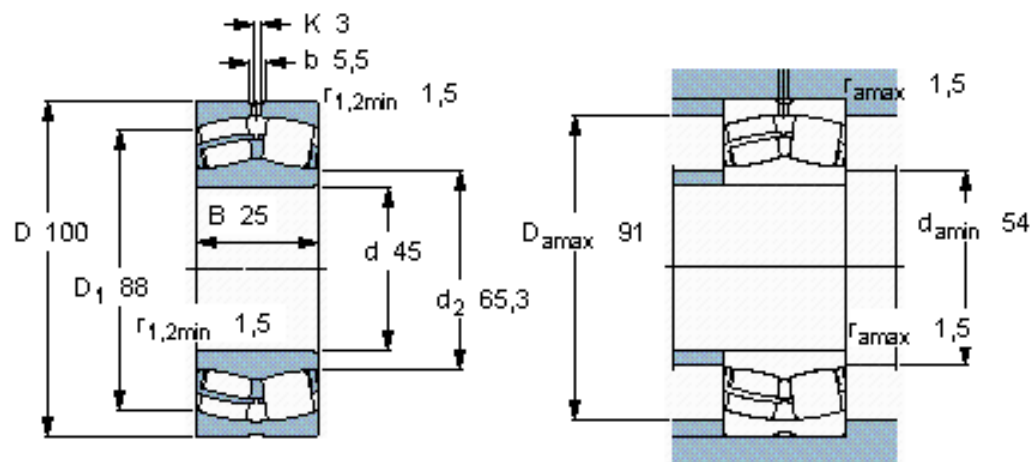


Spherical roller bearings, cylindrical and tapered bore

Principal dimensions			Basic load ratings		Fatigue load limit Pu	Speed ratings		Mass	Designation
d	D	B	dynamic	static		Reference speed	Limiting speed		
mm			kN	C0	kN	r/min	kg		* - SKF Explorer bearing
45	100	25	125	127	13,7	6300	8500	0,99	21309 E *



Calculation factors

e 0,24
 Y_1 2,8
 Y_2 4,2
 Y_0 2,8